



2007 PRINCE OF WALES
Building Britain's Most Powerful Steam Locomotive

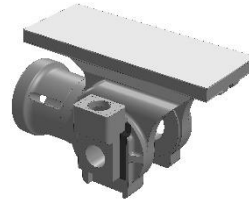
12 Days of Christmas Component Sponsorship



1st day of Christmas – one pony truck axle at £4,440



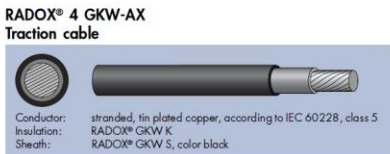
2nd day of Christmas – two buffer spring casings at £1,200 each



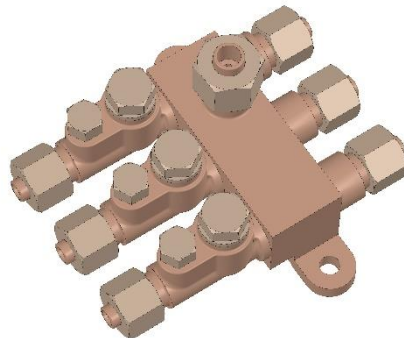
3rd day of Christmas – three cylinder crossheads at £3,700 each



4th day of Christmas – four Cartazzi wheelset roller bearings at £1,590 each



5th day of Christmas – five kilometres of electrical cable at £2,750



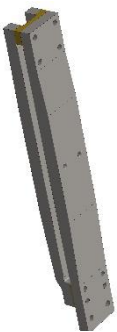
6th day of Christmas – six lubricator atomisers at £350 each



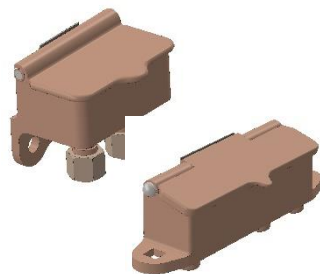
7th day of Christmas – seven upper superheater elements at £900 each



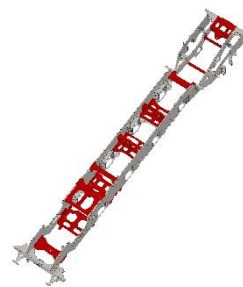
8th day of Christmas – eight 6ft 2in driving wheels cast and proof machined at £12,000 each



9th day of Christmas – nine cylinder slide bars from £900 to £1,700 each



10th day of Christmas – ten oil boxes from £600 to £800 each



11th day of Christmas – eleven frame stays from £300 to £6,900 each



12th day of Christmas – twelve engine wheel tyres from £1,200 to £1,900 each